

Architectural Windows

9250 Self-Balancing Double Hung Series

Elevations Viewed From The Exterior

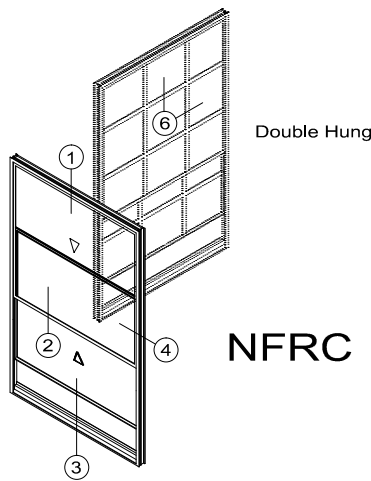
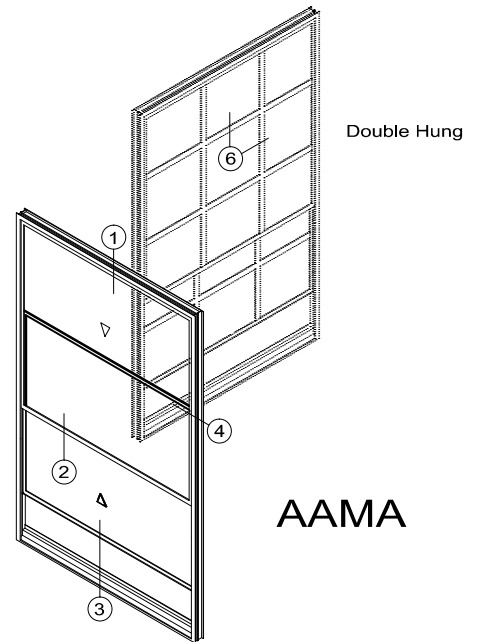
Section Contents	Page(s)
Details	CBW12-2
Stacks	CBW12-3
Glazing and Grid Options....	CBW12-4
Accessories.....	CBW12-6 and CBW12-7

AAMA Test Configurations (shown)
Architectural AW Class
For air, water, cycling and structural

Vertical Slider Size 59" x 98" Type A 1500 mm x 2500 mm

NFRC 100 Thermal Test Configurations (shown)
For U-Factor, SHGC and CR

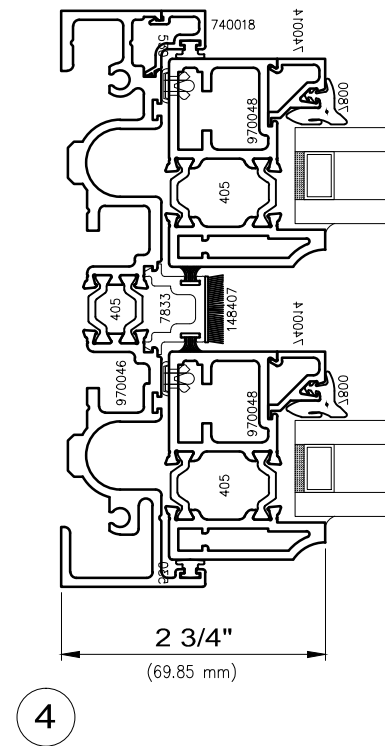
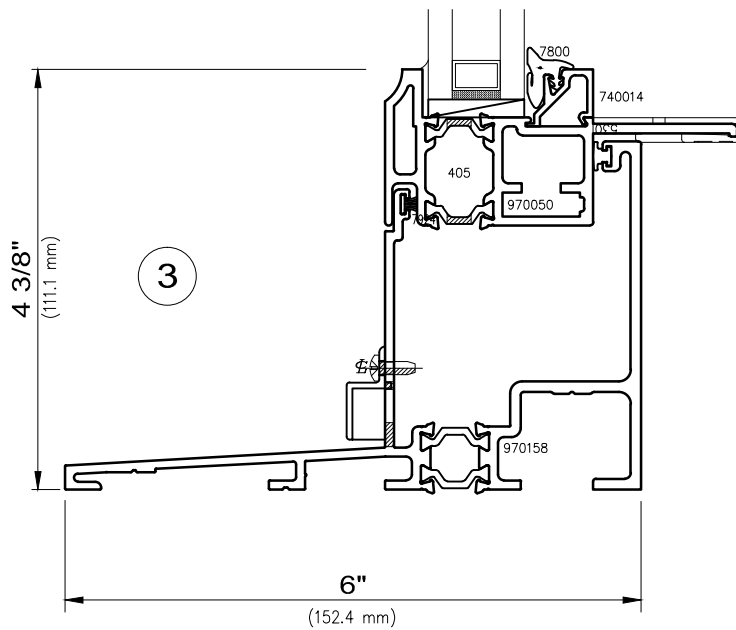
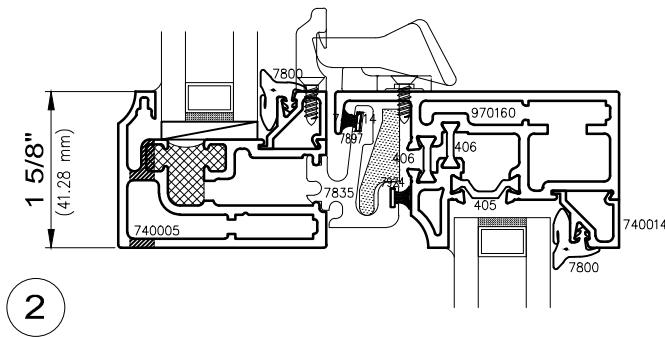
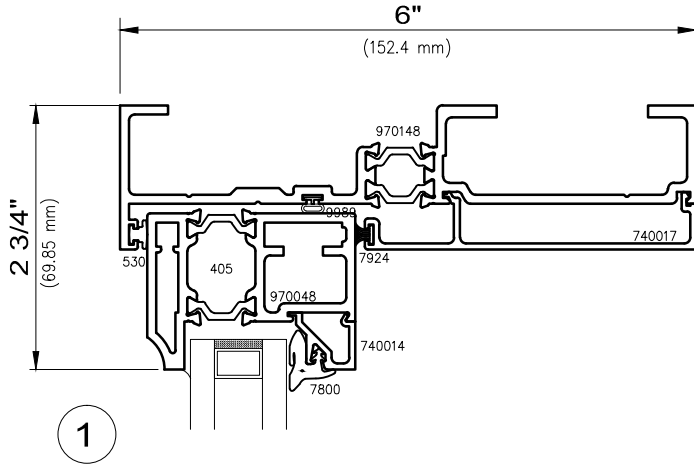
Vertical Slider Size 47" x 59" 1200 mm x 1500 mm



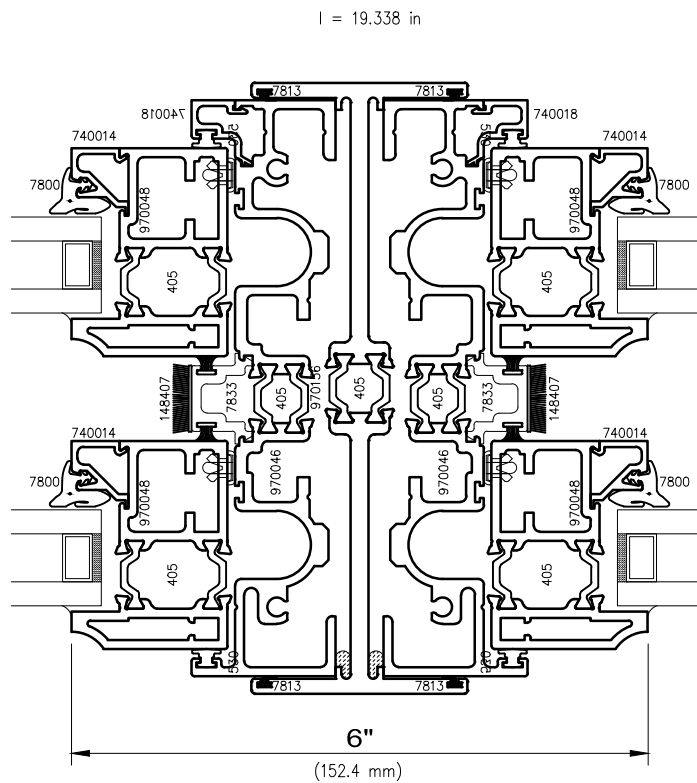
9250 Series

Contact A Wausau Representative For Other Possible Configurations

Non-stocked items shown – Minimum order quantity may apply



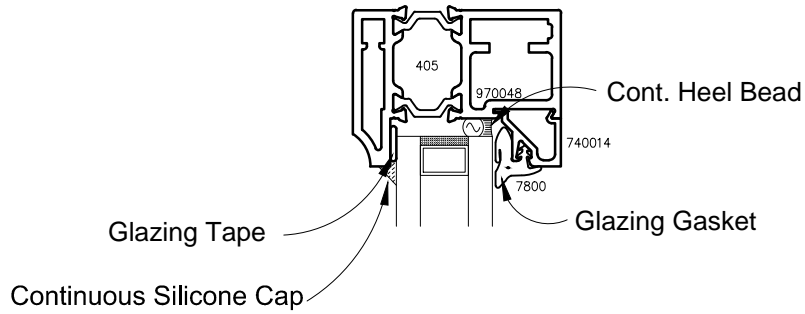
Non-stocked items shown – Minimum order quantity may apply



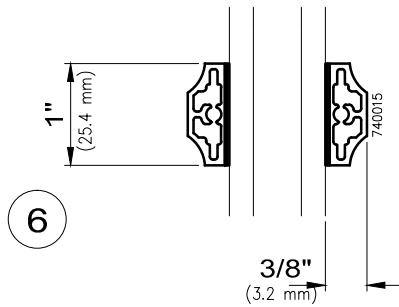
5

I-values indicated are for frame members only.
Thermal barrier shear reduction of 15% included.

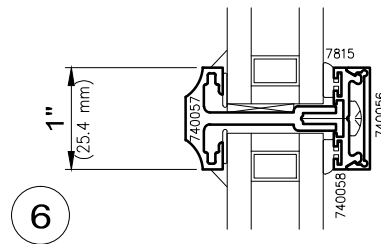
Non-stocked items shown – Minimum order quantity may apply



1" Insulating Glass
Operable Interior Glazed

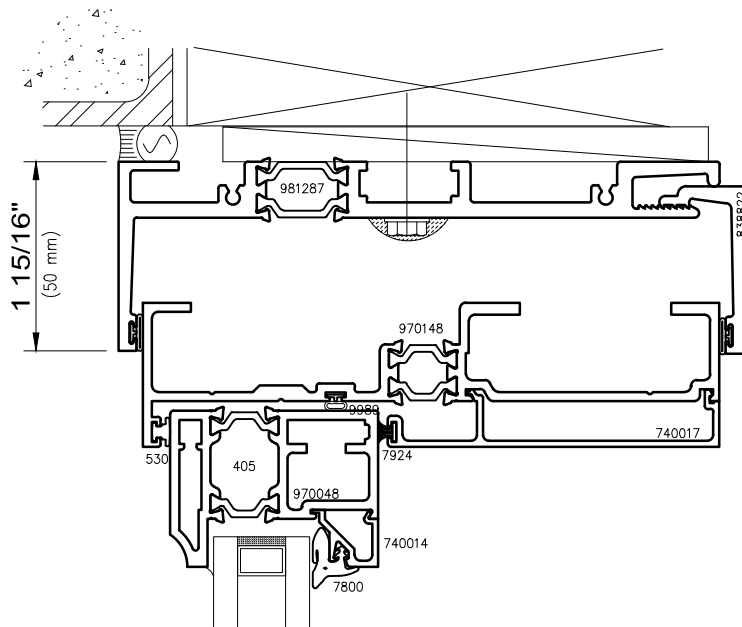


Applied Muntin Grid

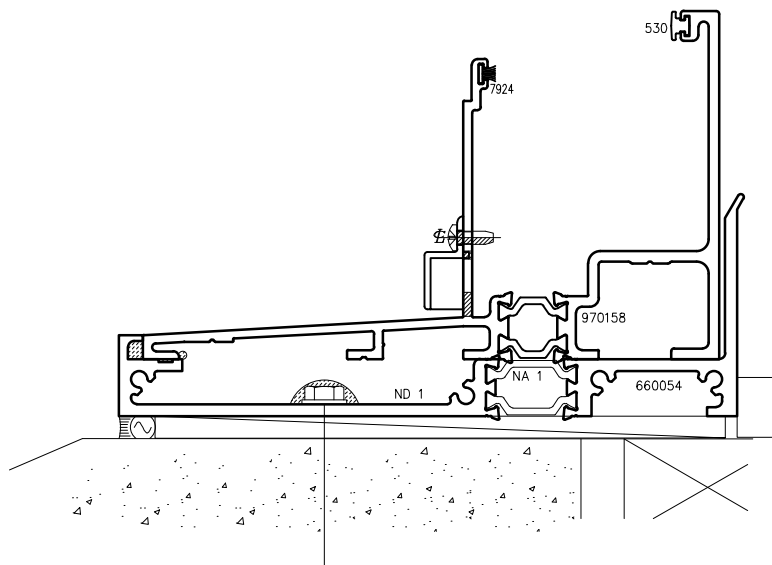


True Divided Lite

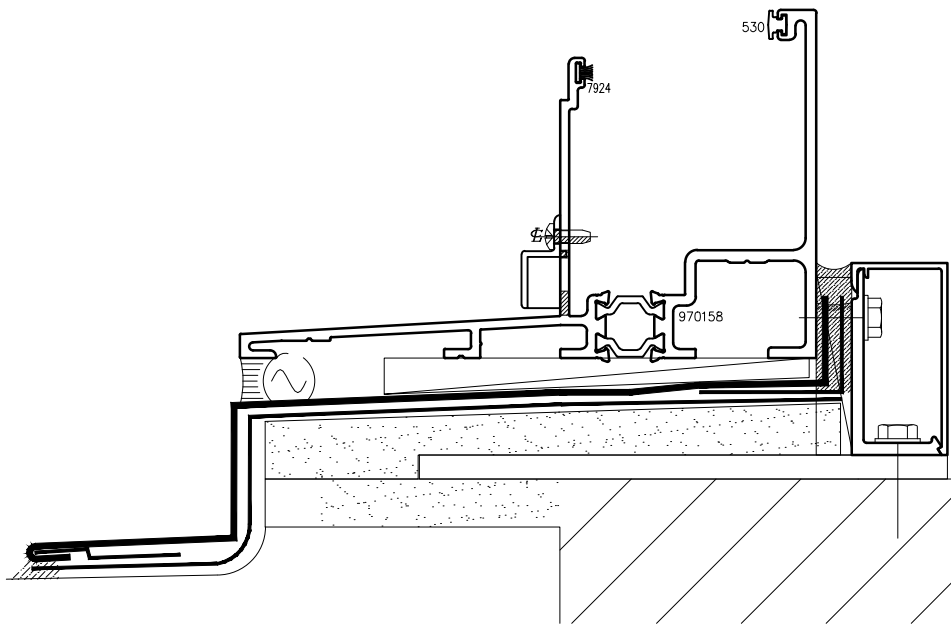
Non-stocked items shown – Minimum order quantity may apply



Head and Jamb Starter



Sill Starter



Trim Anchor